



BEDROCK BURNER

LINEAR DROP-IN BURNER SERIES



The smart choice for easy warmth and comfort.

The Bedrock Linear Drop-in Burner is specifically designed to fit any trough style masonry fireplace or contemporary designed wood burning fireplace.

VENTED

BEDROCK BURNER

TRADITIONAL DROP-IN BURNER



Available in sizes 48", 60", and 72"

VENTED TRADITIONAL DROP-IN BURNER

Operated with an SIT Proflame II control system including convenient flame modulation on a sleek hand held remote.

- Featuring NEW Glowfire™ Log Technology
- Install in Trough
- Install Indoors or Under Covered Patio
- 110v System with Plug or Hard Wire Ready
- Gas Specific, Non-Field Convertible
- BTU Output Equals 15K BTUs Per Foot
- 5 Flame Height Adjustments
- Integrated LED Lights w/ App Controls
- Designed with 1/2" Reflective Fireglass



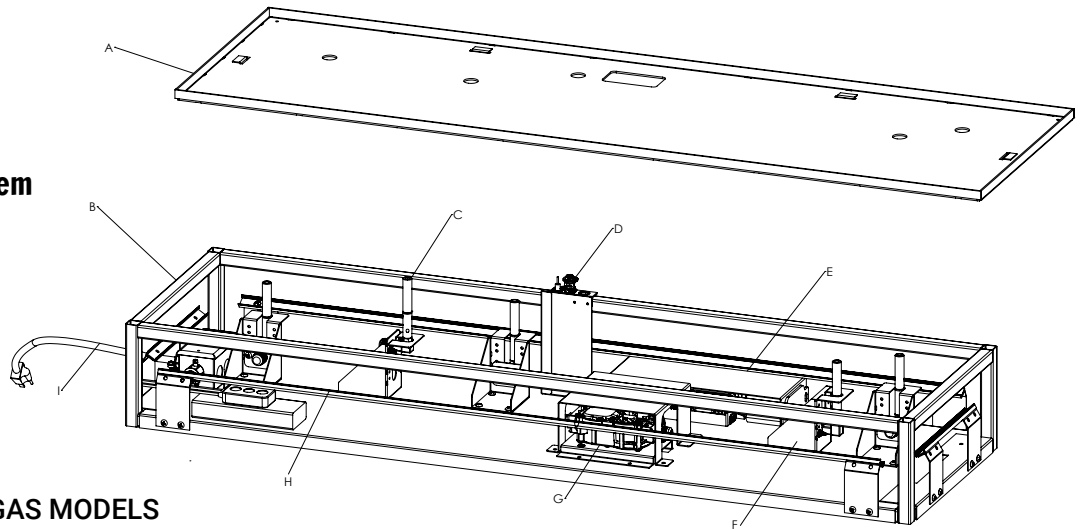
NEW Glowfire™ Log Technology

GLOWFIRE™ LOG TECHNOLOGY

The first-of-its-kind technology in the open face fireplace integrates the burn tubes inside the actual logs, giving the look and feel of the log on fire. Glowfire™ Logs are specifically designed to bring more fuel efficiencies to the gas log market by consuming less fuel while still creating a fuller more robust flame compared to a traditional gas log set. The ceramic log mixture radiates more heat out into the room while also creating less flame impingement drastically reducing sooting.

TRADITIONAL VENTED BEDROCK BURNER

- A. Media Deck
- B. Frame
- C. Fuel Mixer
- D. Pilot
- E. Sit Control System
- F. Orifice Holder
- G. Valve
- H. LED Lighting
- I. Power Cord
- J. SIT Remote
- K. LED Remote

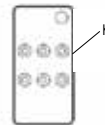
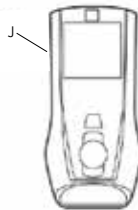


NATURAL GAS MODELS

	Rated	Rated	Rated	Rated	Rated
NG MODELS	High	Low	Manifold	Inlet	Inlet
			Pressure	Min	Max
LDBT48L-EN	62000	45000	3.5	5	10.5
LDBT60L-EN	95000	60000	3.5	5	10.5
LDBT72L-EN	95000	60000	3.5	5	10.5

LIQUID PROPANE MODELS

	Rated	Rated	Rated	Rated	Rated
LP MODELS	High	Low	Manifold	Inlet	Inlet
			Pressure	Min	Max
LDBT48L-EP	62000	30000	10	11	14
LDBT60L-EP	75000	40000	10	11	14
LDBT72L-EP	75000	40000	10	11	14



LCD Display Multi Feature Remote

LOG MODEL

LDBT-DW48	Bedrock Traditional 48" Western Driftwood Logs
LDBT-DW60	Bedrock Traditional 60" Western Driftwood Logs
LDBT-DW72	Bedrock Traditional 72" Western Driftwood Logs

Sizing Chart

NG/LP	Min. Fire Box Size			
	Front	Rear	Depth	Height
LDB48	48	48	15	20
LDB60	60	60	15	20
LDB72	72	72	15	20



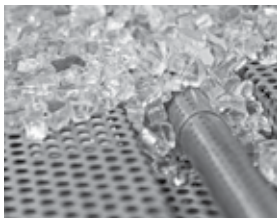
Figure 1



Figure 2

Place Bedrock burner in your fireplace centering the base front to back and side to side. Centering the base allows the case to easily slide over the top of the base. (Figure 1)

Pull up on the handles located on the left and right side of the case. Lift the case and carefully place the case in the fireplace covering the base. Larger units may require two people to install. (Figure 2)



Reflective glass measurements for unit size

Burner Size	LBS Glass Media Used	# of Glowfire™ Logs
48"	20 lbs.	5
60"	25 lbs.	7
72"	30 lbs.	7

VENTED

BEDROCK BURNER

CONTEMPORARY DROP-IN BURNER



Available in sizes 24", 36", 48", 60", 72", 84", and 96"

VENTED LINEAR DROP-IN BURNER

Operated with an SIT Proflame II control system including convenient flame modulation on a sleek hand held remote. The Bedrock Burner is also the **FIRST** vented Drop-in burner system featuring IC controlled LED lighting that operates with a remote or easy to use App. The main flame and LED lighting are independently controlled and operated. Available in 6 convenient sizes, install indoors or under a covered patio & add 1/2" reflective glass to finish off.

- Install in Trough or Open Face Wood Burning Fireplace
- Install Indoors or Under Covered Patio
- 110v System with Plug or Hard Wire Ready
- Gas Specific, Non-Field Convertible
- BTU Output Equals 15K BTUs Per Foot
- 5 Flame Height Adjustments
- Integrated LED Lights w/ App controls
- Designed with 1/2" Reflective Fireglass

OPTIONAL MEDIA



Cannonballs



Driftwood Logs

QUICK SPECS

Designed For Indoor or Covered Patios

FLAME ADJUSTMENT .. Five Flame Settings
INSTALLATION Trough or Open Hearth
FUEL Natural Gas or Propane
ELECTRICAL 120VAC, 60Hz
CONTROLS SIT Proflame II Controller
IGNITION Direct Spark

VENTED BEDROCK BURNER

NATURAL GAS MODELS

	Rated High	Rated Low	Rated Manifold Pressure	Rated Inlet min	Rated Inlet max
NG MODELS	High	Low	Pressure	min	max
LDB24L-EN	30000	20000	3.5	5	10.5
LDB36L-EN	45000	30000	3.5	5	10.5
LDB48L-EN	60000	40000	3.5	5	10.5
LDB60L-EN	75000	50000	3.5	7	10.5
LDB72L-EN	90000	60000	3.5	7	10.5
LDB84L-EN	105000	70000	3.5	7	10.5
LDB96L-EN	120000	80000	3.5	7	10.5

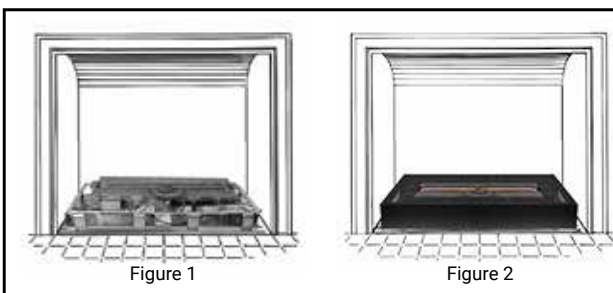
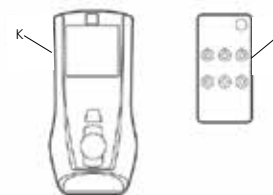
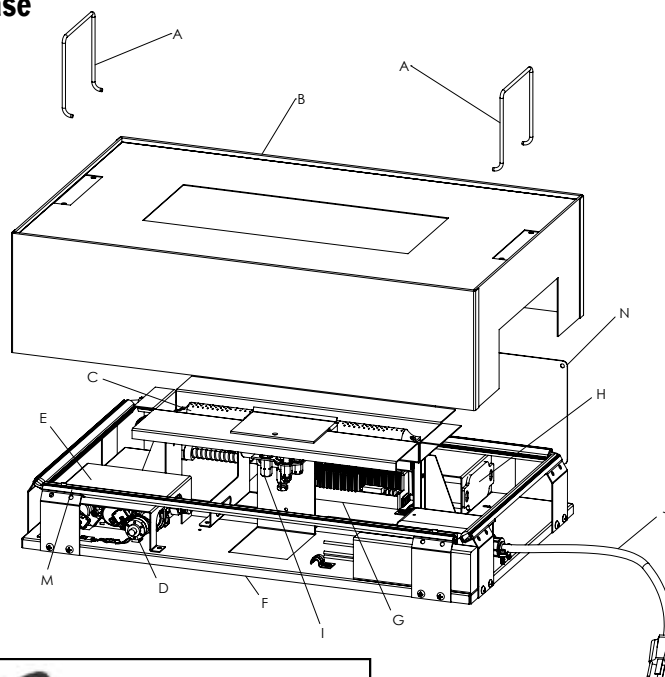
LIQUID PROPANE MODELS

	Rated High	Rated Low	Rated Manifold Pressure	Rated Inlet min	Rated Inlet max
LP MODELS	High	Low	Pressure	min	max
LDB24L-EP	30000	15000	10	11	14
LDB36L-EP	45000	20000	10	11	14
LDB48L-EP	60000	30000	10	11	14
LDB60L-EP	75000	40000	10	11	14
LDB72L-EP	90000	50000	10	11	14
LDB84L-EP	105000	55000	10	11	14
LDB96L-EP	120000	60000	10	11	14

Sizing Chart

NG/LP	Min. Fire Box Size			
	Front	Rear	Depth	Height
LDB24	24	24	15	20
LDB36	36	36	15	20
LDB48	48	48	15	20
LDB60	60	60	15	20
LDB72	72	72	15	20
LDB84	84	84	15	20
LDB96	96	96	15	20

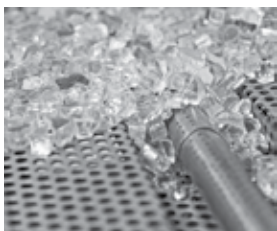
- A. Handles
- B. Case
- G. IFC Board
- K. Multifunction Burner Remote
- C. Burner
- H. ProFlame Receiver
- L. LED Remote
- D. Gas Valve
- I. Pilot
- M. LED Lights
- E. Gas Valve Cover
- J. Power Cord
- N. Rating Plate
- F. Base



Place Bedrock burner in your fireplace centering the base front to back and side to side. Centering the base allows the case to easily slide over the top of the base. (Figure 1)

Pull up on the handles located on the left and right side of the case. Lift the case and carefully place the case in the fireplace covering the base. Larger units may require two people to install. (Figure 2)

Reflective glass measurements for unit size



Burner Size	LBS Glass Media Used	Burner Size	LBS Glass Media Used
24"	10 lbs.	72"	30 lbs.
36"	15 lbs.	84"	35 lbs.
48"	20 lbs.	96"	40 lbs.
60"	25 lbs.		

VENTLESS

BEDROCK II BURNER

LINEAR DROP-IN BURNER

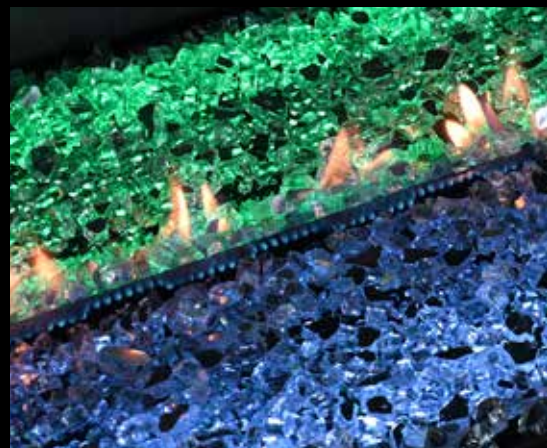


Available in sizes 24", 36", 48", and 60"

LARGEST VENTLESS LINEAR DROP-IN BURNER

Operated with an SIT Proflame II control system including convenient flame modulation on a sleek hand held remote. The Ventless Bedrock Burner is also the LARGEST ventless Drop-in burner system at 60" featuring IC controlled LED lighting that operates with a remote or easy to use App. Available in 4 convenient sizes, install indoors or under a covered patio & add 1/2" reflective glass to finish off.

- Install in Trough or Open Face Wood Burning Fireplaces or Certified Ventless Fireplace
- Install Indoors or Under Covered Patio
- 110v System with Plug or Hard Wire Ready
- Gas Specific, Non-Field Convertible
- Duly List for Vented and Ventless Installations
- 5 Flame Height Adjustments
- Integrated LED Lights w/ App Controls
- Designed with 1/2" Reflective Fireglass



Multi LED lighting

QUICK SPECS

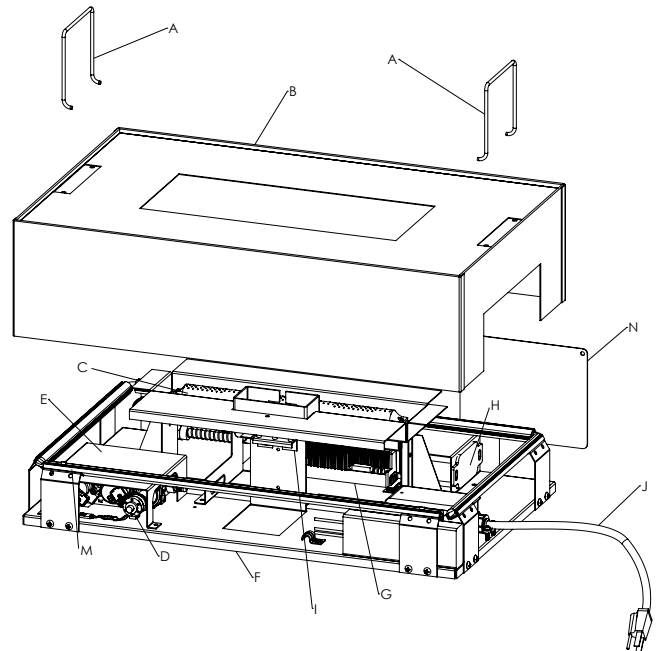
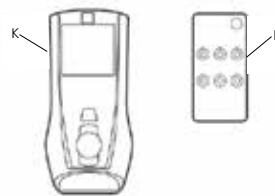
Designed For Indoor or Covered Patios

FLAME ADJUSTMENT .. Five Flame Settings
INSTALLATION Trough or Open Hearth
FUEL Natural Gas or Propane
ELECTRICAL 120VAC, 60Hz
CONTROLS SIT Proflame II Controller
IGNITION Direct Spark

VENTLESS BEDROCK II BURNER

- A. Handles
- B. Case
- C. Burner
- D. Gas Valve
- E. Gas Valve Cover
- F. Base
- G. IFC Board
- H. ProFlame Receiver

- I. Pilot
- J. Power Cord
- K. Multifunction Burner Remote
- L. LED Remote
- M. LED Lights
- N. Rating Plate



SPECIFICATIONS

NG Models	BTU High	BTU Low	Manifold Pressure	Inlet Pressure Minimum	Inlet Pressure Maximum
VFLDB24L-EN	16,000	10,000	3.5"W.C.	5"	10.5"
VFLDB36L-EN	32,000	20,000	3.5"W.C.	5"	10.5"
VFLDB48L-EN	39,500	27,000	3.5"W.C.	7"	10.5"
VFLDB60L-EN	39,500	27,000	3.5"W.C.	7"	10.5"
LP MODELS					
VFLDB24L-EP	16,000	9,000	10"W.C.	11"	14"
VFLDB36L-EP	32,000	16,000	10"W.C.	11"	14"
VFLDB48L-EP	39,500	18,000	10"W.C.	11"	14"
VFLDB60L-EP	39,500	18,000	10"W.C.	11"	14"

Sizing Chart

NG/LP	Min. Fire Box Size			
	Front	Rear	Depth	Height
LDB24	24	24	15	20
LDB36	36	36	15	20
LDB48	48	48	15	20
LDB60	60	60	15	20

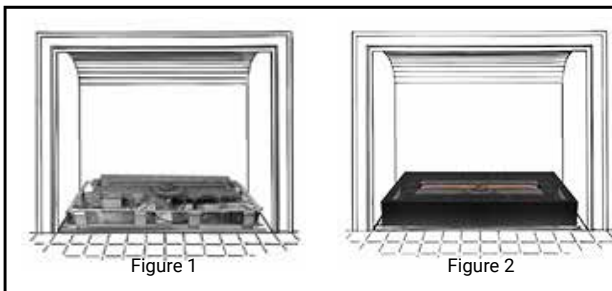
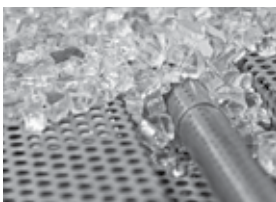


Figure 1

Figure 2

Place Bedrock burner in your fireplace centering the base front to back and side to side. Centering the base allows the case to easily slide over the top of the base. (Figure 1)

Pull up on the handles located on the left and right side of the case. Lift the case and carefully place the case in the fireplace covering the base. Larger units may require two people to install. (Figure 2)



Reflective glass measurements for unit size

Burner Size	LBS Glass Media Used
24"	10 lbs.
36"	15 lbs.
48"	20 lbs.
60"	25 lbs.



GRAND CANYON GAS LOGS

RPG BRANDS

MODERN
ELECTRIC

FLAMES
FIREPLACES

WILDFIRE
OUTDOOR LIVING

GRAND CANYON
GAS LOGS

www.GrandCanyonGasLogs.com

PHONE: 602-344-4217

customerservice@grandcanyongaslogs.com

Copyright © 2024 RPG Brands and Grand Canyon Gas Logs. All rights reserved. Products and specifications subject to change without notice.